

Wire to Board, Header

SWTB-C3000VD-XX

Description

The SWTB-C3000VD-XX is a DIP style connector with 3.00 mm pitch and is available up to 2x12 poles.



Features

Mechanical Properties

Description

Connector Type	DIP, dual row
Operating Temperature Range	-40°C~+105°C
Pitch	3.00 mm
Poles	2-12 Poles
Insulator body material	PA46, UL94V-0
Contact material	Brass, Tin plated over Nickel
Orientation	Vertical
Dimensions	See table

Electrical Properties

Description

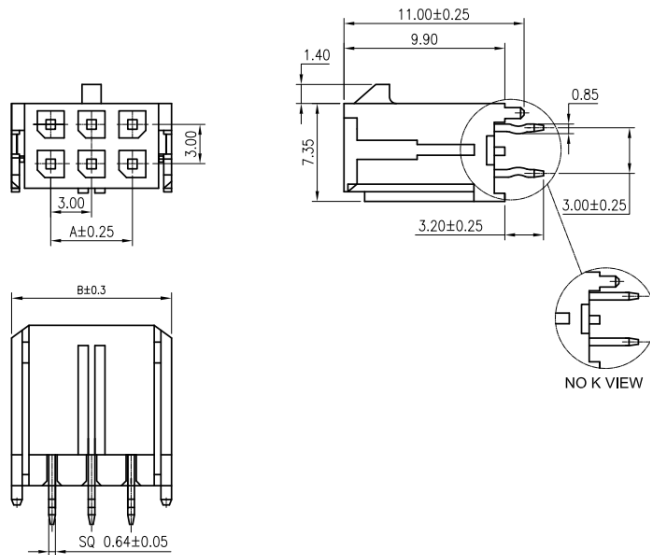
Current Rating	5A AC/DC
Voltage Rating	250V AC/DC
Contact Resistance	10 mΩ max.
Insulation Resistance	1000 MΩ min.
Dielectric Withstanding	1500V AC / 1 min

Wire to Board, Header

SWTB-C3000VD-XX

Dimensions

*unit: mm, N= number of poles

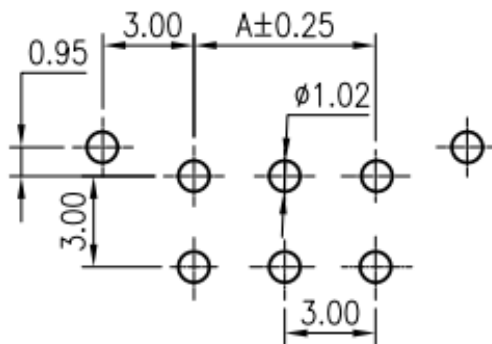


Number of Poles: Dimensions

Number of Poles:	Dimensions	
	A	B
2*1P	--	6,65
2*2P	3,00	9,65
2*3P	6,00	12,65
2*4P	9,00	15,65
2*5P	12,00	18,65
2*6P	15,00	21,65
2*7P	18,00	24,65
2*8P	21,00	27,65
2*9P	24,00	30,65
2*10P	27,00	33,65
2*11P	30,00	36,65
2*12P	33,00	39,65

PCB Footprint

*unit: mm , N = number of poles



Wire to Board, Header

SWTB-C3000VD-XX



Part number

SWTB-C3000VD-XX

SWTB-C3000VD	Style of connector
XX	Poles
	2,4,6,8,10,12,14,16,18,20,22,24

Ordering information

Ordering can be done via www.summit-electronics.com or via info@summit-electronics.com. Please contact us for more information. Customisation of the product is available on request.

Technical support

For all product questions please contact us via info@summit-electronics.com

Document revision

Rev	Date	changes
V01.00	27-06-2023	First issue of document, EK